

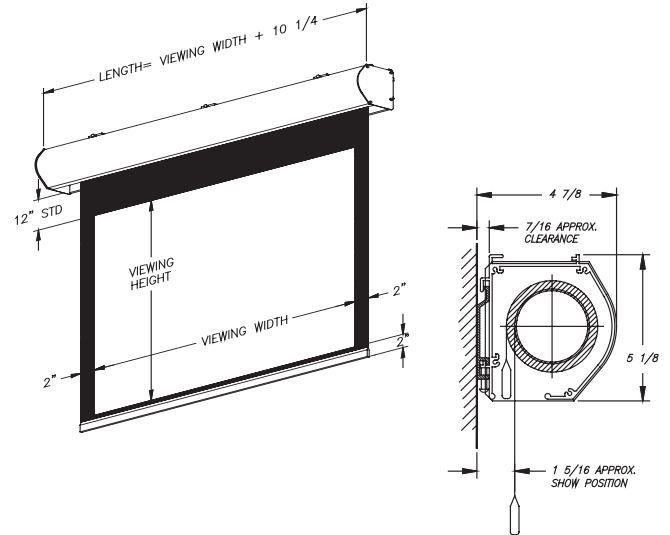
LECTRIC I

Motorized Screen Wall or Ceiling Mount

DIAGONALS: Standard (4:3) : 72" - 180"
HDTV (16:9) : 92" - 159"
Computer (16:10) : 94" - 163"
Widescreen (2.35:1) : 115" - 153"



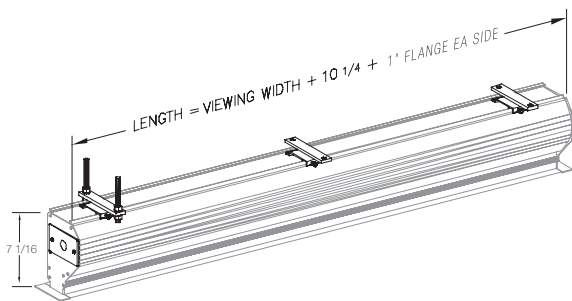
TECHNICAL:



Letric I™, Vutec's most popular motorized projection screen, features a durable aluminum housing for wall or ceiling applications. Representing the best value in its class, Letric I comes standard with value-added features, including VUTEC's EMS™ EZ Mounting System, for wall or ceiling applications.

Letric I™ provides users with maximum versatility and interfaces with low voltage relays, IR, RF, RS-232, 12 volt triggers, and IP controls

IN-CEILING TRIM KIT



SURFACES: **MatteWhite** **SoundScreen**
Vu-Flex Pro **GreyDove SoundScreen**
Twin-Vu

FEATURES:

- Aluminum housing is standard with the choice of black or white finishes; custom finishes are available
- VUTEC EMS™ (EZ-Mounting System) included
- Ribbed aluminum roller featuring VUTEC's FRST™ (Fabric Relief Step)
- Standard 12" black leader set at 6"
- Manual toggle wall switch control included
- Integrates with most VUTEC control systems
- Requires hard-wired installation
- Custom sizes and additional leader are available
- In-ceiling trim kit available up to 144" wide
- Also available in 2.40:1 format
- Optional black liner for SoundScreen available
- Silent motor available up to 120" wide
- A/V format screens come with 1" borders
- 1 year warranty

