

HDMI Cable

HDMI 1.3 Male to HDMI 1.3 Male, Shielded, Black

High-quality connections deliver high-definition performance.

HDMI is becoming the standard digital connection delivering the highest-quality audio and video signal over a single cable. MANHATTAN® HDMI 1.3 cables are designed and carefully constructed to meet the evolving needs of the high-definition marketplace. MANHATTAN HDMI 1.3 shielded cables with nickel-plated connectors in black PVC jackets and molded boots provide high-definition video and multi-channel, digital audio with increased performance characteristics, greater accuracy and expanded features.

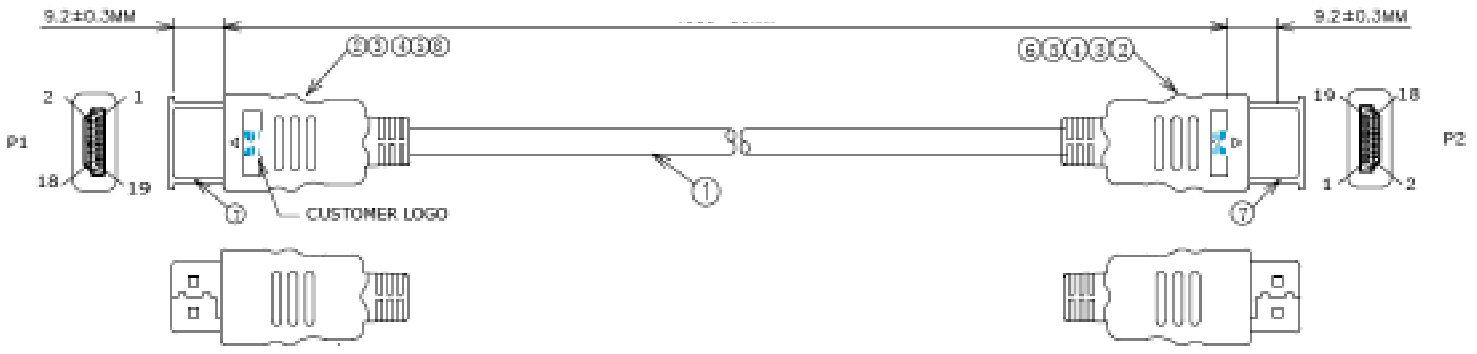
Model	Length
306119	1.8 m (6 ft.)
306126	3.0 m (10 ft.)
306133	5.0 m (16.5 ft.)

Lifetime Warranty

Strict manufacturing standards ensure the highest quality in all MANHATTAN products. All items carry a full Lifetime Warranty — the strongest quality commitment anyone can make.

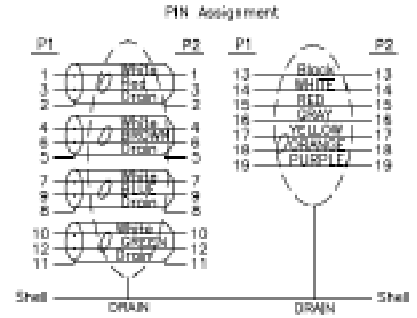
Model
306119
306133
306126





ELECTRICAL TEST:
 1.100% OPEN & SHORT & MIS WIRE TEST
 2.CONTACT RESISTANCE:2 OHM(MAX)
 3.INSULATION RESISTANCE:10M OHM(MIN)
 4.HI-POT TEST:DC 300V/10ms

THESE DRAWINGS AND SPECIFICATIONS ARE THE PROPERTY OF MANHATTAN AND SHALL NOT BE REPRODUCED, COPIED OR USED IN ANY MANNER WITHOUT THE PRIOR WRITTEN CONSENT OF MANHATTAN.



REV.	DESCRIPTION	DATE
7	A6-0000015 HDMI COVER TRANSPARENT	2 PCS
6	A10-R075133 BLACK SHRINK TUBE #1.5*16MM	2 PCS
5	A10-R075148 BLACK SHRINK TUBE #2.5*8MM	8 PCS
4	A5-R047001 BLACK 43P PVC	20 G
3	A5-R047011 TRANSPARENT PE	3 G
2	A2-R020042 HDMI M 19P SOLDER TYPE BLACK INSULATION SHELL NICKEL PLATED	2 PCS
1	A4-R001349 UL20276(30AWG*1PR+6AWG*4C+30AWG*1PR+30AWG*5C+AEN150W) 00.5.5MM BLACK (1.34)	1.83 M
NO	QTY UNIT	

REV.	DESCRIPTION	DATE
1	TOLERANCE INCHES M/M	
X	.015 .30	
XX	.010 .10	
XXX	.005 .05	
DRAWN BY: LIAO		
CHECK BY:	SCALE: NONE	DRAWING NO:
APPD BY:	UNIT: MM	REV: A
	DATE: 2009.05.27	1/1

Features

- HDMI 19-pin male to HDMI 19-pin male connections
- Fully shielded to reduce EMI and other interference sources
- Molded PVC boot
- Ensures the integrity of the signal between HDMI devices
- Supports existing HD (720p, 1080i, 1080p60 and 2560 x 1600p60), enhanced (480p) and standard (NTSC or PAL) video formats
- Up to 340 MHz (10.2 Gbps) single-link bandwidth
- Lifetime Warranty

Specifications

STANDARDS AND CERTIFICATIONS

- HDMI 1.3
- UL 20276
- ISO9002
- RU
- CE

CONTACTS

- (2) HDMI 19-pin male connection
- Nickel plated
- Molded PVC boot
- Shielded

CABLE

- 30 AWG connectors
- Shielded aluminum-magnesium braid
- Current rating: 0.5 A DC
- Withstanding voltage: 300 V DC
- Insulation resistance: 50 MOhms
- Conductive resistance: 2 Ohms
- Thermal plastic casing

DIMENSIONS

- Diameter: 5.5 mm (0.2 in.)

PACKAGE CONTENTS

- HDMI Cable

For more information on MANHATTAN products, consult your local dealer or visit www.manhattan-products.com.



Copyright © MANHATTAN

